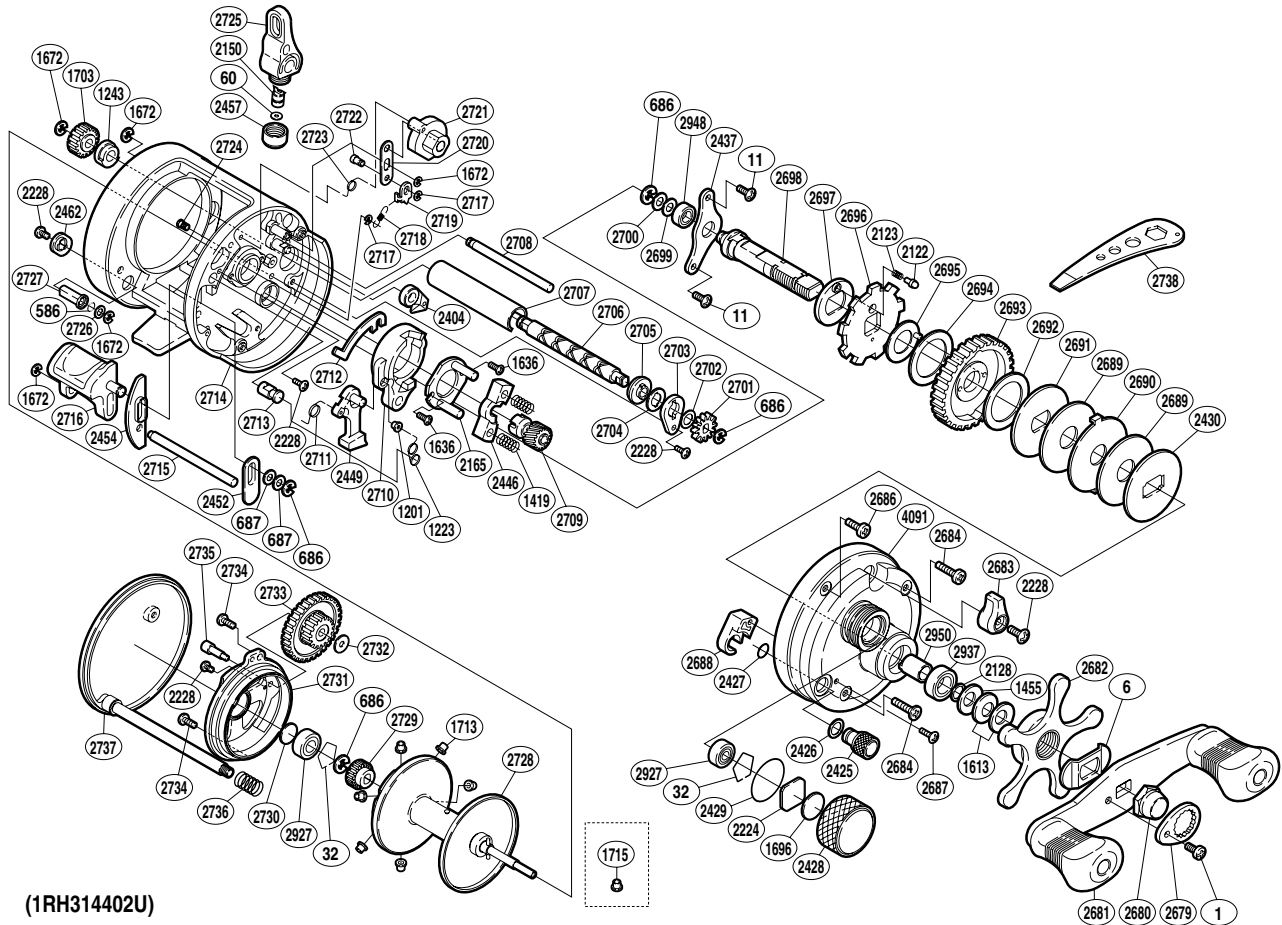


SHIMANO

CALCUTTA TE

CTE-400



(1RH314402U)

Part No.	Description	Part No.	Description	Part No.	Description
BNT0001	Handle Nut Plate Screw	BNT2452	Clutch Bar Guide (A)	BNT2712	Clutch Plate
BNT0006	Friction Washer (A)	BNT2454	Clutch Bar Guide (B)	BNT2713	Retractor Spring Pin
BNT0011	Drive Shaft Retainer Screw	BNT2457	Pawl Cap	BNT2714	One-Piece Frame
BNT0032	Bearing Retainer	BNT2462	Damper Guide	BNT2715	Clutch Bar Support
BNT0060	Spacer (optional)	BNT2679	Handle Nut Plate	BNT2716	Quick-Fire II Clutch Bar
BNT0586	Bolt Retainer	BNT2680	Handle Nut	BNT2717	"E" Lock
BNT0686	Click Pawl Retainer	BNT2681	Handle Assembly	BNT2718	Click Spring
BNT0687	Click Pawl Spacer	BNT2682	Star Drag	BNT2719	Click Pawl
BNT1201	Retractor Spring Collar	BNT2683	Click Switch	BNT2720	Click Link
BNT1223	Retractor Spring	BNT2684	Right Side Plate Screw (A)	BNT2721	Click Switch Cam
BNT1243	Worm Bushing (B)	BNT2686	Right Side Plate Screw (B)	BNT2722	Click Link Pin
BNT1419	Yoke Spring	BNT2687	Cam Backing Plate Screw	BNT2723	Click Switch Spring
BNT1455	Drag Spring Washer (H)	BNT2688	Cam Backing Plate	BNT2724	Click Spring Pin
BNT1613	Drag Spring Washer (L)	BNT2689	Drag Washer (A)	BNT2725	Line Guide
BNT1636	Clutch Cam Screw	BNT2690	Key Washer (B)	BNT2726	Damper Washer
BNT1672	"E" Lock	BNT2691	Base Drag Disc	BNT2727	Damper (A)
BNT1696	Cast Control Spacer (B)	BNT2692	Drag Washer (C)	BNT2728	Spool Assembly
BNT1703	Idle Gear (C)	BNT2693	Drive Gear	BNT2729	Idle Gear (A)
BNT1713	Brake Collar (green)	BNT2694	Drag Washer (A)	BNT2730	Spacer (B)
BNT2122	Drag Click Pin	BNT2695	Drag Click Plate	BNT2731	Brake Case
BNT2123	Drag Click Spring	BNT2696	Anti-Reverse Ratchet	BNT2732	Idle Gear "B" Washer
BNT2128	Bearing Washer	BNT2697	Drag Click Pin Holder	BNT2733	Idle Gear "B"
BNT2150	Line Guide Pawl	BNT2698	Drive Shaft	BNT2734	Brake Case Screw
BNT2165	Clutch Cam Retainer	BNT2699	Drive Shaft Washer (A)	BNT2735	Idle Gear Shaft
BNT2224	Spool Tension Spacer (A)	BNT2700	Drive Shaft Washer (B)	BNT2736	Left Side Plate Spring
BNT2228	Clutch Cam Screw	BNT2701	Click Gear	BNT2737	Left Side Plate
BNT2404	Anti-Reverse Pawl	BNT2702	Worm Shaft Washer (B)	BNT2927	Ball Bearing
BNT2425	Side Plate Open Nut	BNT2703	Worm Bushing (A) Retainer	BNT2937	Star Drag Bearing
BNT2426	Open Nut Washer	BNT2704	Worm Shaft Washer (A)	BNT2948	Ball Bearing
BNT2427	"O" Ring	BNT2705	Worm Bushing (A)	BNT2950	Roller Clutch Inner Tube
BNT2428	Cast Control Cap	BNT2706	Worm Shaft	BNT4091	Right Side Plate
BNT2429	"O" Ring	BNT2707	Level Wind Guard		
BNT2430	Key Washer	BNT2708	Level Wind Guide		
BNT2437	Drive Shaft Retainer	BNT2709	Pinion Gear (A)	BNT1715	Brake Collar (red)
BNT2446	Yoke	BNT2710	Clutch Cam		
BNT2449	Clutch Pawl	BNT2711	Clutch Pawl Spring	BNT2738	Wrench (accessory)